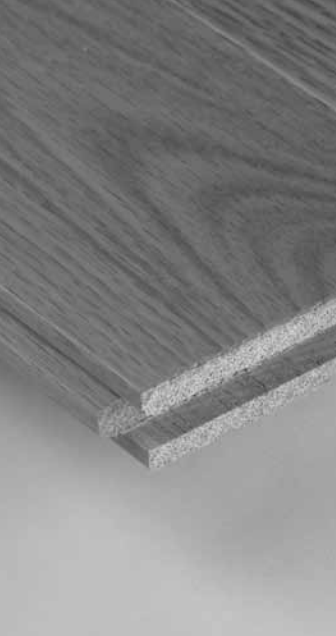




Installation Guide

Solid Prefinished Hardwood Floors

VERSION FRANÇAISE AU VERSO



Please read all instructions carefully before installation. Improper installation may void the warranty.

PRODUCT USE

Mirage Classic products can be installed on and above grade. They may be nailed down with cleats or staples over wooden subfloor, using specially designed hardwood floor nailer.

A solid hardwood floor can be installed over a concrete subfloor on or above grade as long as a layer of plywood is placed over the concrete. A vapor barrier should be used to protect the wood flooring against excessive humidity so that moisture transfer is no more than 3 lbs / 1000 sq. ft. / 24 hours and subfloor moisture is less than 12%.

Mirage **does not recommend installation** of Classic Collection floor over radiant-heated subfloor; it is advisable to install Engineered Collection hardwood floor, which is specially designed for this type of application.

INSTALLER AND OWNER RESPONSIBILITY

Prior to installation, the installer and owner must ensure that the work environment and subfloors meet or even exceed minimal specifications listed in this installation guide.

Standard trade practice allows for up to a 5% margin of error for natural imperfections and manufacturing defects. Prior to installation, the installer and owner should conduct a final inspection of grade, color, manufacturing and finish quality of boards to ensure that the floor conforms to purchased product.

Once installed, any board is considered as having been accepted by installer and owner, even if owner is absent at time of installation. When ordering hardwood flooring, it is recommended to add to the square footage needed an allowance for cutting waste.

WARRANTY

Structural lifetime warranty

Finish warranty

Boa-Franc guarantees the original purchaser that the surface finish on its Mirage prefinished hardwood floor will not wear through or separate from the wood for a period of:

- **Twenty-five [25] years** from the date of purchase, when used under normal residential traffic conditions;
- **Three [3] years** from the date of purchase, when used under light commercial conditions.

Surface wear must be readily visible and cover at least ten percent [10%] of the total flooring surface area.

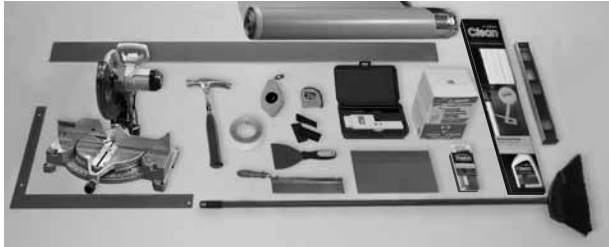
For more information on the warranty, consult the Mirage Warranty Certificate. In the event of a discrepancy between the information in the Installation Guide and the Mirage Warranty Certificate, the latter shall prevail.

FLOOR CARE PREVENTION TIPS

For information on floor care prevention, consult Mirage's Residential Maintenance and Warranty Certificate on our website www.miragefloors.com.

Boa-Franc, G.P., Technical Service Department
 1255, 98th Street, Saint-Georges [Quebec] Canada G5Y 8J5
 Tel.: 418-227-1181 – 800-463-1303 – Fax: 418-227-9360
 Or by e-mail: technical@boa-franc.com





RECOMMENDED TOOLS, MATERIAL AND ACCESSORIES

- Vacuum cleaner or broom
- Scraper
- Leveling bar
- Level
- Leveling compound [optional]
- #20 grit sand paper [optional]
- Wood and/or concrete moisture meter
- Miter saw
- Handsaw
- Claw hammer
- Nail punch
- Pry bar
- Square 16" x 24"
- Measuring tape
- Chalk line
- Reversing tongues [optional]
- Mirage Touch [touch up kit]
- Mirage Clean [maintenance kit]

Nailed down installation

- Recommended nailers and stapler:
 - **Primatech 800-363-1962 www.primatech.ca**
P210 pneumatic with 1-1/2" [38 mm] nails
H300 manual with 1-3/4" [44 mm] nails
H330 manual with 1-1/2" [38 mm] up to 2" [50 mm] nails
 - **Powernail 800-323-1653 www.powernail.com**
445 pneumatic with 1-3/4" [44 mm] nails
45 manual with 2" [50 mm] nails
 - **Bostitch 800-556-6696 www.bostitch.com**
MIILFN pneumatic with 1-1/2" [38 mm] nails
MFN 200 manual with 2" [50 mm] nails
MIILFS pneumatic stapler with 1-1/2" [38 mm] up to 2" [50 mm] staples
 - **Senco 800-543-4596 www.senco.com**
SHF50 pneumatic with 1-1/2" [38 mm] nails
SHF15 manual with 1-3/4" [44 mm] nails
SHF10 manual with 1-1/2" [38 mm] nails
- Power drill and 3/32" [2 mm] bit.
- Finishing nails 2-1/2" [63 mm].
- Flooring screws.
- #15 black felt paper [or equivalent].

Prefinished accessories such as reducers, stair nosing, etc. are available from your Mirage Authorized dealer.

Note: Boa-Franc cannot be held responsible for any floor damage resulting from use of inadequate tools.



Nailed down

MANUTENTION AND ACCLIMATIZATION

Prefinished hardwood floor installation **requires a little more time and precaution than unfinished flooring**; handle with care to avoid board surface and finish damage.

PRE-INSTALLATION CHECK LIST

Basic requirements

- Hardwood floor installation should be the very last step of any construction or renovation project.
- Prior to installation, heating system must be in operation, and room temperature must have been maintained at $\pm 72^{\circ}\text{F}$ [$\pm 22^{\circ}\text{C}$] for at least one week.
- To avoid any moisture-related damages, subfloor must be dry and basement well ventilated.
- **Relative humidity must be maintained around 45%** [between 40 and 50%] at all times.

Subfloor moisture level check

Wooden subfloor moisture reading must not exceed 12% and differential between boards and subfloor must be less than 4%. Wood moisture meters are available from your Mirage Authorized dealer. If moisture reading is too high, postpone installation, find moisture source and correct it if needed, raise heat and increase ventilation until proper conditions are met.

Acclimatization: Keep boxes of wood in room where flooring is to be installed for at least 24 hours before installation. This allows the wood to acclimatize to the recommended indoor conditions.

Owner and installer are solely and jointly responsible for pre-installation subfloor moisture level check and must ensure that all conditions and/or specifications listed in this guide have been thoroughly met prior to installation of hardwood floor.

SUBFLOOR PREPARATION

- Installation requires minimum 5/8" [16 mm] plywood, or 3/4" [19 mm] approved OSB chipboard subfloor, if installed over 16" [400 mm] center-to-center joist sub-structure.
- **Sound:** Wooden subfloor must be securely screwed down to joists to prevent any movement or squeaks. Thoroughly inspect and replace existing floor or subfloor that shows evidence of water damage or structural weakness.
- **Flat:** Subfloor surface must be flat and maximum tolerance is 3/16" [5 mm] per 10' [3 m]. If necessary, flatten down any irregularities, using #20 grit paper or correct uneven spots.
- **Dry:** Subfloor must be dry and within moisture reading specs.
- **Clean:** Vacuum and free subfloor from any debris or obstacles such as cleats, nail heads, dried glue or any other material.

PREPARATION

- Sketch installation to avoid surprises.
 - Decide starting point or wall.
 - Decide layout angle; 90 or 45° installation to joists is recommended.
- Remove any baseboard, doorsill and old floor covering if necessary.
- Trim bottom of the doorstep with handsaw to insert boards underneath.
- Lay felt paper [or equivalent] on the entire floor surface.
- To enhance the floor's look, lay out the floor boards throughout the room in the same way they will be installed in order to ensure a good mix of colors and nuances of tone. Remove or relocate any boards you do not want. Start by selecting the boards that will best go with the transition moldings.

NAILED DOWN INSTALLATION INSTRUCTIONS [Illustration #1 and #2]

Step I: Starting point

- Using a chalk line, trace guideline **A** parallel to starting wall and perpendicular to adjacent one. To trace guideline, add 3/4" [19 mm] to board width to account for expansion gap **B** and board tongue. For example, if installing 2-1/4" [57 mm] boards, trace guideline at 3" [76 mm] from starting wall.

Step II: Board laying

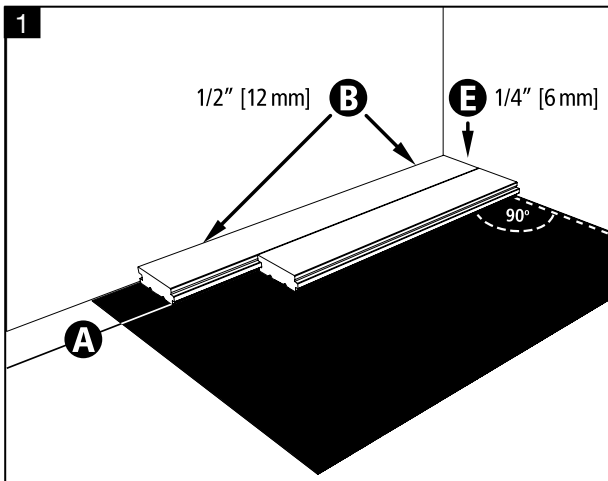
- It is very important that installation be started straight and square.
- Carefully select boards, remove imperfections and save boards with high color variation for hidden places.
- Align first board tongue side with starting line, **A** grooved side facing starting wall; leave 1/4" [6 mm] gap from right side wall **E** which is perpendicular to starting line. Drill and nail board vertically **C** as close to wall as possible to hide nail heads when baseboards and quarter rounds **D** are in place. Install subsequent boards from right to left until ready to trim row end board.
- To minimize trim waste, select board long enough for row end, so that remaining trimmed end may be used to start subsequent row. Leave 1/4" [6 mm] gap at end of each row. **E**
- First board of second row must be at least 6" [150 mm] shorter or longer than that of first row. Cross joints must be staggered by at least 6" [150 mm] from one row to the next. Avoid lining the joints up or having them follow too regular a pattern [illustration #3].
- Since wall proximity prohibits use of nailer, use finishing nails approximately every 4" [100 mm] alongside tongue **F** for first few rows, and punch nail heads down.
- Subsequent rows must be installed the same way, using the nailer [see nailer tips at side]; nail or staple boards every 8 to 10" [200 to 250 mm], but at least 3" [75 mm] from each board end.
- Because of wall proximity, installation of last 4 or 5 rows is identical to installation of first few rows. You might have to rip-saw last row of boards to leave required 1/2" [12 mm] gap **B** alongside finishing wall.

Note:

- Extremely precise board milling may require use of tapping block for better tongue and groove fit.

Step III: Accessories installation

- If applicable, install transition moldings, stair nosings and reducers.
- If applicable, reinstall baseboards and quarter rounds, making sure to nail them only to walls and not to floor [to allow free floor movement].


Step IV: Post-installation

- Set a few boards aside in case of future repairs.
- When installation is completed, vacuum floor thoroughly, spray light mist of Mirage Clean on terry cloth mop and clean floor.

NAILER TIPS
Warning

To avoid damaging boards during installation:

- Ensure that nailer base plate remains clean and free from nicks at all times.
- When nailer is not being used, place on piece of plywood or cardboard, but never directly onto floor.
- Ensure that nailer base sits flat on floor and plumb against tongue before nailing board down.
- Check base plate condition and proper operation of nailer regularly.**

Manual nailer

- Hold nailer firmly in place and hit nailer head with rubber mallet.
- Before starting installation, test and become familiar with nailer operation, even if a few boards must be sacrificed.
- Nailing power is much more effective when nailer is used from a standing position.

Pneumatic nailer

- Set and check air pressure regularly, keeping in mind that different hardwood species or subfloor types require specific air pressure settings.

